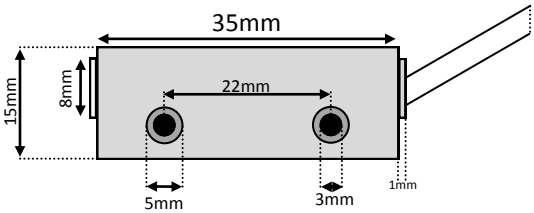
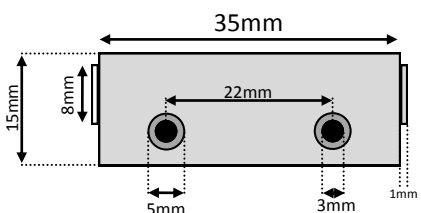
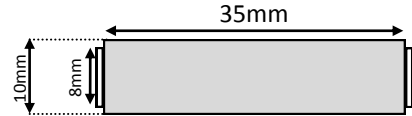
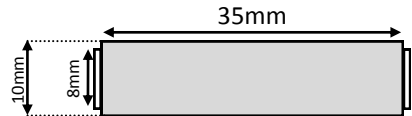
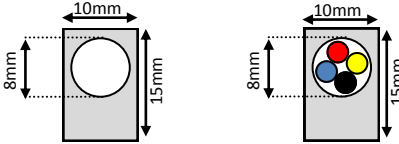
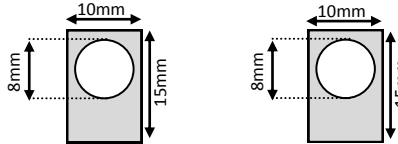
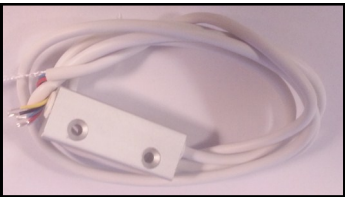
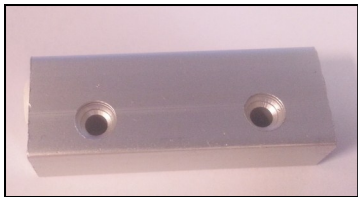


FRONT/ BACK	<p style="text-align: center;">CONTACT</p> 	<p style="text-align: center;">MAGNET</p> 	<p>DESCRIPTION</p> <p>Grade 2, Class III Mini aluminium surface/patio contact 1m 4 core cable prefitted Single reed, normally closed <i>(complete circuit when magnet present)</i></p>
	TOP/ BOTTOM		
ENDS			<p>WIRING</p> <p>Red/Yellow REED Black/Blue TAMPER LOOP</p> <p>MATERIALS</p> <p>Anodised AA15 aluminium casting Ferrite/Alnico V magnet Rhodium reed</p>
PHOTO			<p>TEMPERATURE RANGE</p> <p>-40 to +50 degrees Celsius</p> <p>ELECTRICALLY RATED AS FOLLOWS</p> <p>500mA Max DC 500mA Max AC</p> <p>1 – 100v DC 125v AC Max</p>



KNIGHT
FIRE & SECURITY

Unit 84 Seawall Road Ind. Estate
Cardiff UK CF24 5TH
Tel: +44 (0) 2920 488 129
Fax: +44(0) 2920 489 132

Drawing #: E90A
Drawn: Gareth Carpenter
Date: 01/12/2015
Revision: 1

All dimensions in mm
Do not scale



© Knight Fire & Security Products Ltd
All cases of infringement will be pursued.