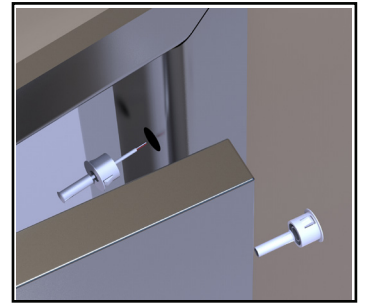


FC620

Flush Magnetic Contact



- 4 Core pre-wired
- Suitable for metal doors or window applications
- Double pole configuration
- Suitable for domestic and commercial alarm circuits
- High impact polymer construction
- Grade 2 Environmental Class II



Product codes

Code	Description
FC620/WH	Flush Magnetic Contact 4 Core

Technical data

Switch	
Contact Material:	Palladium
Contact Rating:	1A @ 12Vdc
Contact Resistance:	100 milliOhms
Temperature Range:	-15°C to +40°C
Life Expectancy:	>1,000,000 cycles

Housing	
Material:	High Impact Polystyrene
Contact Dimension (mm):	9.5mm dia x 31.5mm
Contact Head (mm):	11.5mm dia
Magnet Dimension (mm):	9.5mm dia x 34.25mm
Magnet Head (mm):	11.5mm dia
Metal Door Adapter (mm):	24.75 dia x 19mm
Metal Door Adapter Head (mm):	31mm dia

REV.2 - 1/2020



 www.cqr.co.uk

 info@cqr.co.uk

 Sales: +(0)151 606 1000 Tech: +(0)151 606 6311

CQR Security Ltd, 125 Pasture Road, Moreton, Wirral, CH46 4TH, UK

