

DHI-TPC-BF5601-T

Thermal Network Bullet Camera



- Vanadium oxide uncooled focal plane detector.
- AI functions: heat detection, tripwire, intrusion, and human/vehicle classification.
- Wide input voltage 12 VDC ± 20%, and PoE.
- IP67 rated.

Featuring thermal channel, Thermal Network Bullet Camera offers various AI functions such as heat detection, tripwire, intrusion, and human/vehicle classification. The camera is widely applied in outdoor scenes of the medium-distance perimeter protection and heat detection.

Technical Specification

Thermal

Detector Type	Vanadium oxide uncooled focal plane detector
Effective Pixels	640 (H) × 512 (V)
Pixel Pitch	12 μm
Spectral Range	8 μm–14 μm
Sensitivity (NETD)	≤35 mK (@f/1.0)
Focus Control	Fixed-focal
Aperture	F1.0
Focal Length	5 mm; 7.5 mm; 9 mm; 13 mm; 19 mm; 25 mm; 35 mm
Field of View	5 mm: H: 90.0°; V: 70.7° 7.5mm: H: 63.8°; V: 51° 9 mm: H: 48.6°; V: 38.6° 13 mm: H: 37°; V: 28° 19 mm: H: 22.8°; V: 18.4° 25 mm: H: 17.6°; V: 14.1° 35 mm: H: 12.5°; V: 10°
Close Focus Distance	5 mm: 0.6 m (1.97 ft) 7.5 mm: 1.2 m (3.94 ft) 9 mm: 1.8 m (5.91 ft) 13 mm: 4 m (13.12 ft) 19 mm: 8 m (26.25 ft) 25 mm: 15 m (49.21 ft) 35 mm: 28 m (91.86 ft)
Digital Detail Enhancement (DDE)	Yes
Thermal AGC	Auto/Manual
Thermal Noise Reduction	2D NR/3D NR
Image Flip	180°
Color Palettes	18 (white hot/black hot/fusion/rainbow/golden autumn/midday/iron red/amber/jade/sunset/icefire/painting/pomegranate/emerald/spring/summer/autumn/winter)

Temperature Measurement Range	Low temperature mode: -20 °C (-4 °F) to +150 °C (+302 °F) High temperature mode: 0 °C (+34 °F) to +550 °C (+1022 °F) Auto mode
Temperature Measurement Accuracy	Max. (±2 °C, ±2%) Operating temperature: -20 °C (-4 °F) to +60 °C (+140°F)
Temperature Measurement Mode	Spot: 12 Line: 12 Area: 12 Supports 12 rules simultaneously

Audio and Video

Video Compression	H.265; H.264; H.264H; MJPEG
Resolution	Thermal: Main stream: 1280 × 1024; 1280 × 720; 640 × 512; 1280 × 1024 (default) Sub stream: 640 × 512; 320 × 256; 640 × 512 (default)
Video Frame Rate	Thermal (50 Hz): Main stream: 1 fps–25 fps, 25 fps by default Sub stream: 1 fps–25 fps, 15 fps by default Thermal (60 Hz): Main stream: 1 fps–30 fps, 30 fps by default Sub stream: 1 fps–30 fps, 15 fps by default
Audio Compression	G.711a; G.711mu; AAC; PCM
Image Encoding Format	JPEG

Function

Network Protocol	HTTP; HTTPS; TCP; ARP; RTSP; RTP; UDP; RTCP; SMTP; FTP; DHCP; DNS; DDNS; PPPOE; IPv4/v6; SNMP; QoS; UPnP; NTP
Storage	FTP; Micro SD card (optional)
Interoperability	ONVIF; CGI; DaHua SDK
Browser	IE; Firefox; Chrome
User/Host	Up to 20 (total bandwidth: 64 MB)
Security	Authorized username and password; attached MAC address; HTTPS; IEEE 802.1x; controlled network access

User Management	Up to 20 users; supports multi-level user permissions (2 levels); management group and user group
Malfunction Detection	Network disconnection detection; IP conflict detection; memory card state detection; memory space detection
Micro SD Card (Max.)	512 GB

Intelligence

Heat Detection	Yes
Cold/Hot Spot Trace	Yes
Perimeter Protection	Yes. Supports tripwire and intrusion.
Target Distinction	Human/Vehicle Classification

Port

Analog Output	1 × CVBS output; BNC port
Network Port	1 × RJ-45 (10/100 Base-T)
Alarm Input	2
Alarm Output	2
Audio Input	1
Audio Output	1
RS-485	1

Power

Power Supply	12 VDC ± 20%, PoE (802.3af), ePoE
Power Consumption	Basic: 5.0 W (12 VDC); 5.5 W (PoE) Max.: 13 W (heater on, 12 VDC); 14 W (heater on, PoE)
ePoE	Yes

Environment

Operating Temperature	-40 °C to +70 °C (-40 °F to +158 °F)
Operating Humidity	≤95%
Storage Temperature	-40 °C to +80 °C (-40 °F to +176 °F)

Physical Characteristics

Protection	IP67
Reliability	Surge protection: 6 kV Air discharge: 15 kV Contact discharge: 8 kV
Anti-corrosion Level	Basic Protection *The products are designed for general use in areas that have no specific requirements for anti-corrosion protection.

Structure

Product Dimensions	291 mm × 103 mm × 97 mm (11.46" × 4.06" × 3.82") (L × W × H)
Packaging Dimensions	Package: 365 mm × 175 mm × 176 mm (14.37" × 6.89" × 6.93") (L × W × H) Protection box: 902 mm × 380 mm × 380 mm (35.51" × 14.96" × 14.96") (L × W × H)
Net Weight	≤1.4 kg (3.09 lb)
Gross Weight	≤1.9 kg (4.19 lb)
Bracket	Included

Certification

Certifications	CE; FCC
----------------	---------

Temperature Measurement Distance

Focal Length	Max. Distance	Min. Distance
5 mm	5 m (16.40 ft)	1 m (3.28 ft)
7.5 mm	6m (19.69 ft)	1 m (3.28 ft)
9 mm	8 m (26.25 ft)	2 m (6.56 ft)
13 mm	11 m (36.09 ft)	2 m (6.56 ft)
19 mm	16 m (52.49 ft)	3 m (9.84 ft)
25 mm	21 m (68.90 ft)	4 m (13.12 ft)
35 mm	30 m (98.43 ft)	6 m (19.69 ft)

Note:

The table displays the measured distances obtained from using the target size 0.1 m x 0.1 m for testing in an environment where the temperature is 23 °C and the relative humidity is below 60%.

The table is for reference only. The distances within it are subject to actual conditions including atmospheric conditions, target size, the installation site, and more.

DRI Distance

Focal Length	Detection Distance ^①	Recognition Distance ^②	Identification Distance ^③
5 mm	Vehicle: 639 m (2,096.46 ft); Human: 208 m (682.41 ft)	Vehicle: 160 m (524.93 ft); Human: 52 m (170.60 ft)	Vehicle: 80 m (262.47 ft); Human: 26 m (85.30 ft)
7.5 mm	Vehicle: 958 m (3,143.04 ft); Human: 313 m (1,026.90 ft)	Vehicle: 240 m (787.40 ft); Human: 78 m (255.91 ft)	Vehicle: 120 m (393.70 ft); Human: 39 m (127.95 ft)
9 mm	Vehicle: 1,150 m (3,772.97 ft); Human: 375 m (1,230.31)	Vehicle: 288 m (944.88 ft); Human: 94 m (308.40 ft)	Vehicle: 144 m (472.44 ft); Human: 47 m (154.20 ft)
13 mm	Vehicle: 1,661 m (5,449.48 ft); Human: 542 m (1,778.22 ft)	Vehicle: 415 m (1,361.55 ft); Human: 135 m (442.91 ft)	Vehicle: 208 m (682.41 ft); Human: 68 m (223.10 ft)
19 mm	Vehicle: 2,428 m (7,965.88 ft); Human: 792 m (2,598.43 ft)	Vehicle: 607 m (1,991.47 ft); Human: 198 m (649.61 ft)	Vehicle: 303 m (994.09 ft); Human: 99 m (324.80 ft)
25 mm	Vehicle: 3,194 m (10,479.00 ft); Human: 1,042 m (3,418.64 ft)	Vehicle: 799 m (2,578.74 ft); Human: 260 m (857.98 ft)	Vehicle: 399 m (1,309.06 ft); Human: 130 m (426.51 ft)
35 mm	Vehicle: 4,472 m (14,671.92 ft); Human: 1,458 m (4,783.46 ft)	Vehicle: 1,118 m (3,667.98 ft); Human: 365 m (1,197.51 ft)	Vehicle: 559 m (1,833.99 ft); Human: 182 m (597.11 ft)

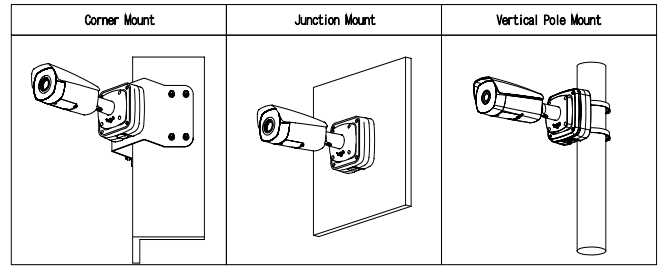
- ① Detection Distance: Detects objects, but cannot recognize their characteristics (objects must cover more than 1.5 pixels of the image).
- ② Recognition Distance: Classifies objects into general categories, such as human, vehicle (the object must cover more than 6 pixels of the image).
- ③ Identification Distance: Classifies objects into specific categories based on their characteristics, such as engineering truck, car (the object must cover more than 12 pixels of the image).

Note:

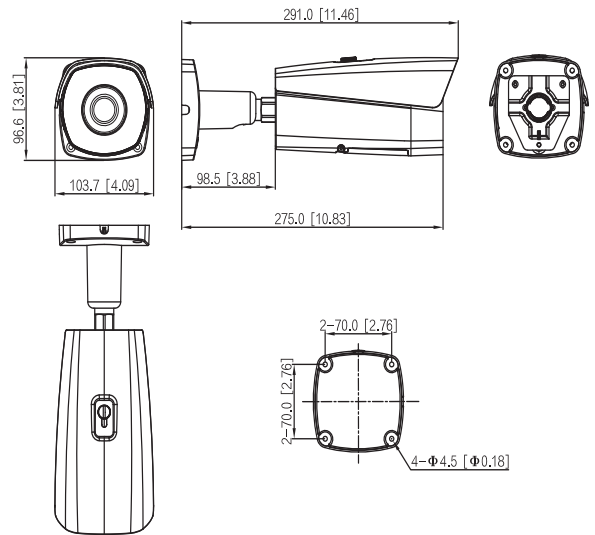
The table is the standard theoretical calculation and is for reference only. The distances within it are subject to actual conditions including atmospheric conditions, target size, the installation site, and more. For the intelligent detection distance, refer to the table of Perimeter Protection Distance (IVS Distance) above.

Ordering Information

Type	Model	Description
Security	DHI-TPC-BF5601-TB5	Thermal: 5 mm
	DHI-TPC-BF5601-TB7	Thermal: 7.5 mm
	DHI-TPC-BF5601-TB9	Thermal: 9 mm
	DHI-TPC-BF5601-TB13	Thermal: 13 mm
	DHI-TPC-BF5601-TB19	Thermal: 19 mm
	DHI-TPC-BF5601-TB25	Thermal: 25 mm
	DHI-TPC-BF5601-TB35	Thermal: 35 mm
Accessories (Optional)	PFA121 + PFA151	Corner Mount
	PFA121	Junction Mount
	PFA152-E + PFA121	Vertical Pole Mount
	PFM320D	Power Adapter



Dimensions (mm[inch])



Accessories

Optional:



PFA121 + PFA151
Corner Mount

PFA121
Junction Mount

PFA152-E + PFA121
Vertical Pole Mount



PFM320D
Power Adapter