

DHI-HY-GW01A

Wireless Gateway



- Compatible with WisuLink wireless interconnected products
- Dual communication based on Ethernet and Wi-Fi
- Support wall mounting or free-standing on the table
- Support OTA software upgrades
- Support 4 LED indicators to illustrate the status of Power, Fault, Alarm and Internet Connectivity

System Overview

The Wireless Gateway can pair with Wisualarm wireless interconnected alarms and work in conjunction with the Wisualarm app to gather data. After the successful pairing, it stays connected to your interconnected alarms at all times with instant app push notifications. In case of a fire or emergency, when one alarm is triggered, all connected alarms will sound an alarm and notifications will be sent to your smart phone, allowing you to know the danger in your home at a glance. You can receive immediate alerts and remotely operate via Wisualarm app, no matter where you are.

Technical Specification

General

Power Supply	5.0V/1.0A
Alarm Volume	70 dB
Alarm Mode	Visual and audible alarm
Indicator Light	Alarm, fault and operation indicator
LED Instructions	Standby: Green indicator stays on continuously Pairing: Green indicator flashes quickly (once per 0.5 seconds) Unpairing: All indicators stay on continuously for 3 seconds Alarm: Red indicator stays on continuously Fault: Yellow indicator stays on continuously Distributed the network successfully: Blue indicator stays on continuously AP distribution mode: Blue indicator flashes quickly (once per 0.5 seconds) Reset: Red indicator flashes quickly (once per 0.5 seconds)

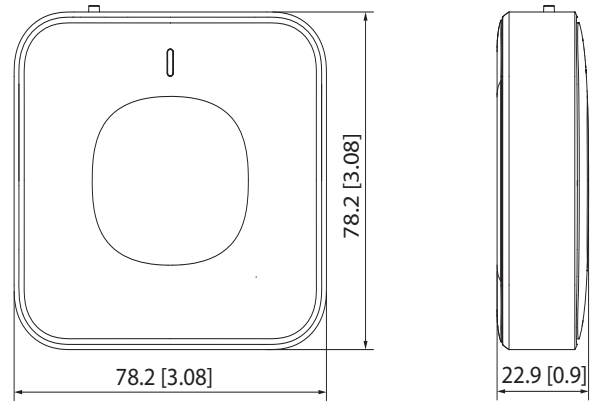
Technical Specification

Wi-Fi Frequency	2.4 GHz (Incompatible with 5 GHz Wi-Fi network)
Wi-Fi Transmission Range	50 m (164 ft)
Wi-Fi Protocol	IEEE 802.11b/g/n
Operating Frequency	868 MHz /925 MHz
Maximum Number of Connected Devices	24 WisuLink wireless interconnected products
Color	White
Casing	ABS
Dimensions	L78.2mm × W78.2mm × H22.9mm (L3.08" × W3.08" × H0.90")
Weight	60 g (0.13 lb)
Installation	Free-standing/Wall mounting
Operating Temperature	-10°C to +55°C (+14°F to +131°F)
Operating Humidity	≤95% RH (non condensing)
Certifications	CE, UKCA, PSTI, RCM, FCC
Compliance Standard	EN 62368-1:2014 + A11:2017

Ordering Information

Type	Part Number	Description
Wireless Gateway	DHI-HY-GW01A	Wireless Gateway (868 MHz)
Wireless Gateway	DHI-HY-GW01A-R9	Wireless Gateway (925 MHz)

Dimensions (mm/inch)



Installation

