

DH-XVR5104HS-4KL-I3

4CH Penta-brid 4K Value/5MP Compact 1U 1HDD WizSense Digital Video Recorder



WizSense

Launched by Dahua Technology, WizSense is a series of AI products and solutions that adopt independent AI chip and deep learning algorithm. It focuses on human and vehicle with high accuracy, enabling users to fast act on defined targets. Based on Dahua's advanced technologies, WizSense provides intelligent, simple and inclusive products and solutions.

Series Overview

Dahua Technology, a world-leading video-centric smart IoT solution and service provider, debuted its new XVR series, XVR5000-4KL-I3 Series featuring max.full-channel SMD Plus to benefit customers from AI upgrade (The number of channels differs depending on the model. Please refer to the specifications below for information on the number of channels.). This series has been developed to reduce false-alarm rates and the cost of human surveillance, thus bringing great value to customers in search of products with accurate human/vehicle alarm to raise the security level of various indoor and outdoor facilities.

Functions

Face Recognition

Dahua Face Recognition technology extracts the features of captured faces and compares them with that in face database to recognize the person identity.

*The Face Recognition is conflicted with SMD Plus and Perimeter Protection.

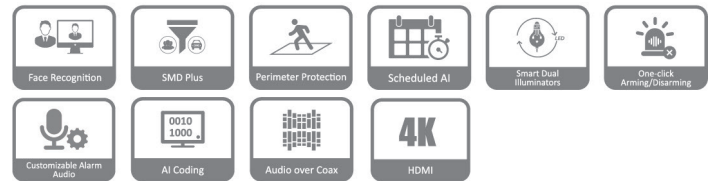
SMD Plus

With intelligent algorithm, Dahua Smart Motion Detection technology can categorize the targets that trigger motion detection and filter the motion detection alarm triggered by non-concerned targets to realize effective and accurate alarm.

Perimeter Protection

Automatically filters out false alarms caused by animals, rustling leaves, bright lights, etc. Enables system to act secondary recognition for the targets. Improves alarm accuracy.

- H.265+/H.265 dual-stream video compression
- Supports all-channels AI Coding
- Supports HDCVI/AHD/TVI/CVBS/IP video inputs
- Max 8 channels IP camera inputs, each channel up to 8MP; Max 64 Mbps incoming bandwidth
- Up to 4 channels video stream (analog channel) Perimeter Protection
- Up to 4 channels video stream (analog channel) SMD Plus
- Up to 1 channel video stream (analog channel) human face recognition
- IoT & POS functionalities



Scheduled AI

This technology allows multiple AI functions to be set for one channel based on time frames, eliminating the need to manually configure the system to switch between functions each time. Scheduled AI greatly increases efficiency and widens the number of scenarios that the device can be used in.

Smart Dual Illuminators

With Smart Dual Illuminators technology, you can select Smart Illumination Mode for the system to automatically switch between IR mode and white light mode. It allows white light to be turned on when a target is detected by the SMD Plus/Perimeter Protection function of AI-enabled XVR. This significantly reduces light pollution at night. Together with other modes, including IR Mode and White Light Mode, the smart dual illumination technology can meet the requirements of a wide variety of scenes.

One-click Arming/Disarming

With just one click, you can enable or disable alarm linkages to show messages, send emails, output audio alarms and more, through the mobile app and platform.

Customizable Alarm Audio

Designed for your convenience, the TiOC alarm can be customized to meet your needs. It is flexible, allowing you to directly upload your customized audio through the mobile app and XVR.

AI Coding

Compared with H.265/H.264, AI coding can reduce more than 50% bit rate and storage requirements without loss of decoding compatibility, providing clear human and vehicle details.

Audio over Coax

The integrated design can reduce wiring troubles which makes it much more cost-effective and convenient for installation.

Technical Specification

System

Main Processor	Industrial-grade processor
Operating System	Embedded Linux
Operating Interface	Web; Local GUI

Perimeter Protection

Perimeter Performance AI by Recorder (Number of Channels)	Advanced Model : 1 channel, 10 IVS for each channel General Model : 4 channels, 10 IVS for each channel
---	--

Face Detection

Face Attributes	Gender; age group; glasses; expressions; face mask; beard
Face Detection Performance of AI by Recorder (Number of Channels)	1 channel (up to 8 face images/s)

Face Recognition

Face Database Capacity	Up to 10 face databases with 20,000 face images in total
Face Recognition Performance of AI by Recorder (Number of Channels)	1 channel

SMD Plus

SMD Plus by Recorder	4-channel: Secondary filtering for human and motor vehicle , reducing false alarms caused by leaves, rain and lighting condition change
----------------------	---

Audio and Video

Analog Camera Input	4 channels, BNC: adaptive access by default; HDCVI, AHD, TVI and CVBS access can be configured.
---------------------	---

Camera Input	1. CVI: 4K@25/30 fps; 6 MP@20 fps; 5 MP@20 fps; 5 MP@25 fps; 4 MP@25/30 fps; 1080p@25/30 fps; 720p@25/30 fps; 720p@50/60 fps. 2. TVI: 4K@15 fps; 5 MP@20 fps; 4 MP@25/30 fps; 3 MP@25/30 fps; 1080p@25/30 fps; 720p@25/30 fps. 3. AHD: 4K@15fps; 5 MP@20 fps; 4 MP@25/30 fps; 3 MP@25/30 fps; 1080p@25/30 fps; 720p@25/30 fps
--------------	---

IP Camera Input	Up to 8 channels of IPC access 4 IP channels by default + 4 channels (analog channels are converted to IP channels) incoming bandwidth: 64 Mbps, recording bandwidth: 64 Mbps and outgoing bandwidth: 64 Mbps *After IP channels are added beyond the existing channels, the AI Function (IVS, SMD, FACE) will be disabled
-----------------	---

Encoding Capacity	Main stream: All channel 4K (1 fps-7 fps); 6MP (1 fps-10 fps); 5MP (1 fps-12 fps); 4K-N, 4MP/3MP (1 fps-15 fps); 4M-N/1080p/720p/960H/D1/CIF (1 fps-25/30 fps); Sub stream: 960H (1 fps-15 fps); D1/CIF (1 fps-25/30 fps)
-------------------	---

Dual-stream	Yes
-------------	-----

Video Bit Rate	32 kbps-6144 kbps
----------------	-------------------

Audio Sampling	8 kHz, 16 bit
----------------	---------------

Audio Bit Rate	64 kbps
----------------	---------

Video Output	1 HDMI, 1 VGA VGA: 1920 × 1080, 1280 × 1024, 1280 × 720 HDMI: 3840 × 2160, 1920 × 1080, 1280 × 1024, 1280 × 720
--------------	---

Multi-screen Display	When IP extension mode not enabled: 1/4 When IP extension mode enabled: 1/4/8/9
----------------------	--

Third-party Camera Access	ONVIF; Panasonic; Sony; Axis; Arecont; Pelco; Canon; Hanwha
---------------------------	---

Compression Standard

Video Compression	AI Coding; H.265+; H.265; H.264+; H.264
-------------------	---

Audio Compression	G.711a; G.711u; PCM
-------------------	---------------------

Network

Network Protocol	HTTP; HTTPS; TCP/IP; IPv4; IPv6; UDP; NTP; DHCP; DNS; SMTP; RTSP; UPnP; IP Filter; FTP; DDNS; SNMP; Alarm Server; P2P; Auto Registration; IP Search (Supports IP camera, DVR, NVS, etc.)
------------------	--

Mobile Phone Access	iOS; Android
---------------------	--------------

Interoperability	ONVIF 22.12(Profile T; Profile S; Profile G); CGI; SDK
------------------	--

Browser	Chrome; IE; Safari; Edge; Firefox
---------	-----------------------------------

Network Mode	Single-address mode
--------------	---------------------

Recording Playback

Record Mode	General, motion detection; intelligent; alarm; POS
-------------	--

Recording Playback	1/4
--------------------	-----

Backup Method	USB device and network
---------------	------------------------

Playback Mode	Instant playback, general playback, event playback, tag playback, smart playback (face and motion detection)
---------------	--

Alarm

General Alarm	Motion detection, video loss, tampering
---------------	---

Anomaly Alarm	No disk, disk error, low space, offline, ip conflict, MAC conflict
---------------	--

Intelligent Alarm	Face detection, face recognition, perimeter protection
-------------------	--

Alarm Linkage	Record, snapshot (panoramic), IPC external alarm output, access controller, voice prompt, buzzer, log, preset, email
---------------	--

Ports

Audio Input	1-channel RCA 4-channel BNC (Coaxial Audio)
-------------	--

Audio Output	1-channel RCA
--------------	---------------

Two-way Talk	Yes (share the same audio input with the first channel)
--------------	---

HDD Interface	1 SATA port. Each disk can contain up to 16 TB. this limit varies depending on the environment temperature
---------------	--

RS-485	1 port, for PTZ control
--------	-------------------------

USB	2 (1 front USB 2.0 port, 1 rear USB 2.0 port)
-----	---

HDMI	1
------	---

VGA	1
-----	---

Network Port	1 (10/100 Mbps Ethernet port, RJ-45)
--------------	--------------------------------------

General

Power Supply	12 VDC, 2 A
--------------	-------------

Power Consumption	<7W(without HDD)
-------------------	------------------

Net Weight	0.53 kg (1.17 lb)
------------	-------------------

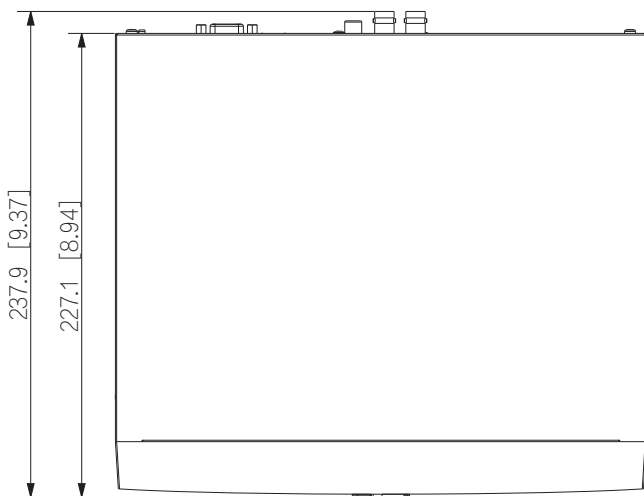
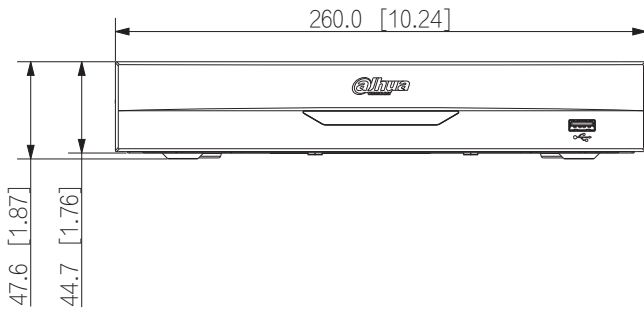
Gross Weight	1.07 kg (2.36 lb)
--------------	-------------------

Product Dimensions	260.0 mm × 237.9 mm × 47.6 mm (10.24" × 9.37" × 1.87") (W × D × H)
Packaging Dimensions	333.0 mm × 89.0 mm × 315.0 mm (13.11" × 3.50" × 12.40") (W × D × H)
Operating Temperature	-10 °C to +55 °C (+14 °F to +131 °F)
Storage Temperature	-20 °C to +60 °C (-4 °F to +140 °F)
Operating Humidity	0%–90% (RH), non-condensing
Installation	Rack or desktop
Certifications	FCC: Part 15 Subpart B CE: CE-LVD: EN 60950-1/IEC 60950-1 CE-EMC: EN 61000-3-2; EN 61000-3-3; EN 55032; EN50130; EN 55024

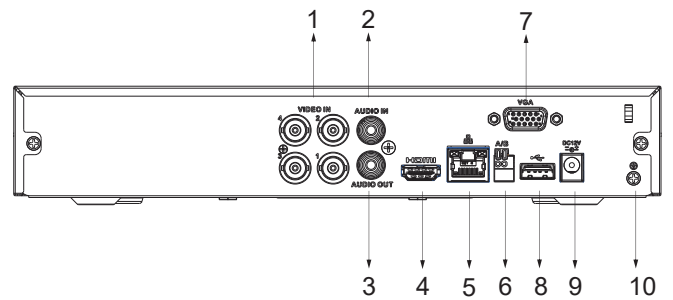
Ordering Information

Type	Model	Description
4 Channels WizSense XVR	DH-XVR5104HS-4KL-I3	4CH Penta-brid 4K Value/5MP Compact 1U 1HDD WizSense Digital Video Recorder

Dimensions (mm[inch])



Panels



- 1 VIDEO IN
- 2 AUDIO IN, RCA Connector
- 3 AUDIO OUT, RCA Connector
- 4 HDMI Port
- 5 Network Port
- 6 RS-485 Port
- 7 VGA Port
- 8 USB Port
- 9 Power Input
- 10 Ground